

# Škoda Auto a.s.

---

## Skoda Auto Global DELJIT

Message Implementation Guidelines

<b>Version:</b>	1.0
<b>Variant:</b>	JDC_Skoda
<b>Basic:</b>	UN D.04B S3
<b>Publishing:</b>	24.7.2013
<b>Author:</b>	M. Nettl

# 1 Preface

## Message function

JDC call-off is used in Skoda Auto within the process of Japan Delivery Concept.

By JDC call-off a demand for delivery of a specified quantity at a specified time window to a required unloading point is sent. Before a regular JDC call-offs sending is set up the supplier is notified of the frequency of a sending including a forecast specified by Skoda Auto. There are 3 options of the frequency: once a month, once in 14 days or once a week. The forecast is possible to set at 1 month or 14 days not beyond the end of the month, or at 4 weeks rolling unlimitedly.

Based on actual production requirements an unscheduled JDC call-off can be sent. However, a forecast of a next nonscheduled JDC call-off is defined according to the last JDC call-off sent regularly.

## Transmission requirements

A receiver of JDC call-off is required to confirm immediately each message reception by EERP. If EERP not recorded on Skoda side 20 minutes after sending the message, the supplier will be contacted to explain a caution and to confirm a delivery.

## 2 Message Type

Tag	No	St	MaxOcc	Name
UNA	1	C	1	Service string advice
UNB	2	M	1	Interchange header
UNH	3	M	1	Message header
BGM	4	M	1	Beginning of message - JDC call-off number
DTM	5	M	1	JDC call-off creation date
SG2		R	1	
NAD	6	M	1	Buyer
SG2		R	1	
NAD	7	M	1	Supplier
SG2		R	1	
NAD	8	M	1	Recipient plant
FTX	9	C	5	Free text - call-off
SG4		M	9999	
SEQ	10	M	1	Sequence details
SG7		R	9999	
LIN	11	M	1	Line item - Article no. / Part no.
IMD	12	O	99	Article description
FTX	13	C	5	Free text - part no.
PAC	14	C	99	Package
SG8		O	9	
RFF	15	M	1	Order number
SG10		R	99	
LOC	16	M	1	Place of destination
SG11		C	5	
CTA	17	C	1	Contact person
COM	18	C	5	Information channel
SG10		M	99	
LOC	19	M	1	Unloading point
SG11		C	5	
CTA	20	M	1	Contact person
COM	21	C	5	Information channel
SG10		O	99	
LOC	22	M	1	Point of use
SG11		C	5	
CTA	23	M	1	Contact person
COM	24	C	5	Information channel
SG12		R	999	
QTY	25	M	1	Quantity
DTM	26	R	9	Delivery date and time
DTM	27	O	9	Departure date and time at the latest

This message structure described. A documented Segment/Segmentgroup shouldn't have to be assigned always. In contrast to the EDIFACT- Message layout chart the different Segment-version will be displayed explicitly.

---

Tag	No	St	MaxOcc	Name
UNT	28	M	1	Message trailer
UNZ	29	M	1	Interchange trailer

---

This message structure described. A documented Segment/Segmentgroup shouldn't have to be assigned always. In contrast to the EDIFACT- Message layout chart the different Segment-version will be displayed explicitly.

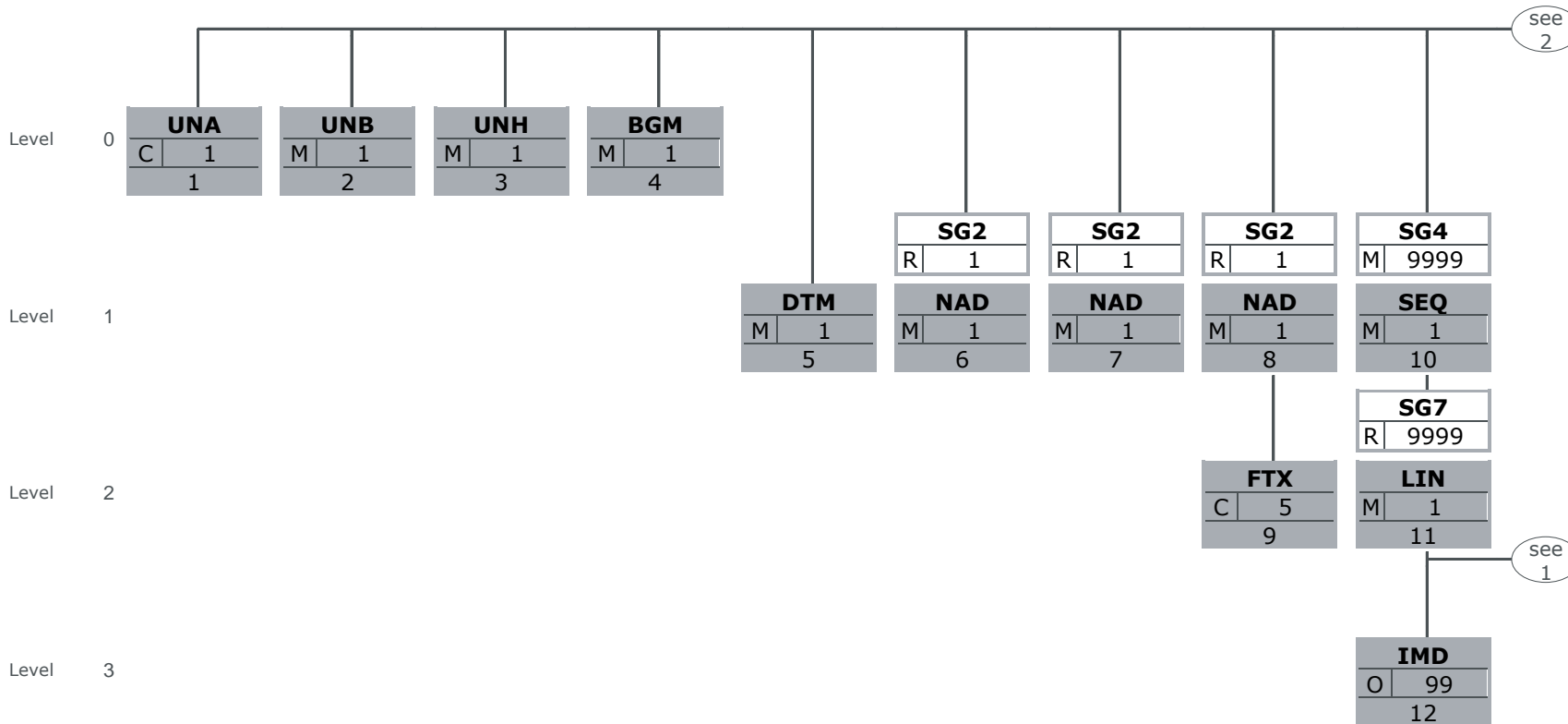
## Pattern Message

### DELJIT Delivery just in time message

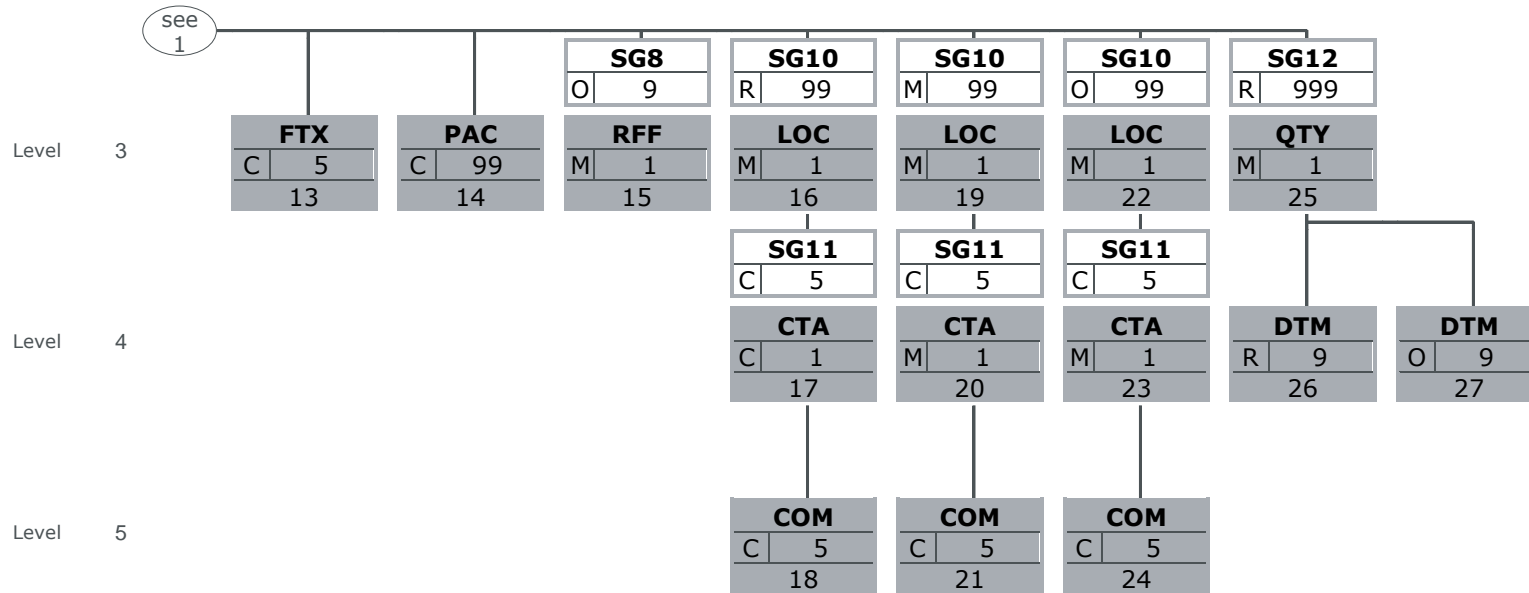
	St	MOcc	Content	
UNA	1	C	1	UNA:+.? '
UNB	2	M	1	UNB+UNOB:3+O0013000001VW R3A+O099990000000000029R88-ID+130501:1000+12345++SK'
UNH	3	M	1	UNH+1+DELJIT:D:04B:UN:GMI061'
BGM	4	M	1	BGM+242+123456'
DTM	5	M	1	DTM+137:20130501112500:204'
SG2		R	1	
NAD	6	M	1	NAD+BY+SKODA::92++By Comp+By Str 1:By Str 2+By Cty++By PSC'
SG2		R	1	
NAD	7	M	1	NAD+SU+01283::92++Su Comp+Su Str 1:Su Str 2+Su Cty++264 44'
SG2		R	1	
NAD	8	M	1	NAD+ST+11::92'
FTX	9	C	5	FTX+AAI+++Free text'
SG4		M	9999	
SEQ	10	M	1	SEQ+40'
SG7		R	9999	
LIN	11	M	1	LIN+++6Y1 A00 117 OS VD:IN'
IMD	12	O	99	IMD+++:::AUSPUFFKRUEMMER'
FTX	13	C	5	FTX+AAI+++Free text'
PAC	14	C	99	PAC+5++1114444::92'
SG8		O	9	
RFF	15	M	1	RFF+ON:000055'
SG10		R	99	
LOC	16	M	1	LOC+7+U15::92:Body shop MB'
SG11		C	5	
CTA	17	C	1	CTA+IC+:Jan Novak'
COM	18	C	5	COM+00420326811110:TE'
SG10		M	99	
LOC	19	M	1	LOC+11+103E8::92:brana vlevo'
SG11		C	5	
CTA	20	M	1	CTA+IC+:Karel Novak'
COM	21	C	5	COM+00420326811111:TE'
SG10		O	99	
LOC	22	M	1	LOC+54+F7-A-500 C-E07::92:misto 24'
SG11		C	5	
CTA	23	M	1	CTA+IC+:Pavel Novak'
COM	24	C	5	COM+00420326811112:TE'
SG12		R	999	
QTY	25	M	1	QTY+113:500:PCE'
DTM	26	R	9	DTM+2:201305300730:203'
DTM	27	O	9	DTM+208:201305300700:203'
UNT	28	M	1	UNT+26+1'
UNZ	29	M	1	UNZ+1+12345'

This message structure described. A documented Segment/Segmentgroup shouldn't have to be assigned always. In contrast to the EDIFACT- Message layout chart the different Segment-version will be displayed explicitly.

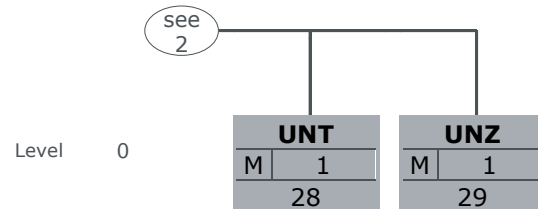
### 3 Branching Diagram



This message structure described. A documented Segment/Segmentgroup shouldn't have to be assigned always. In contrast to the EDIFACT- Message layout chart the different Segment-version will be displayed explicitly.



This message structure described. A documented Segment/Segmentgroup shouldn't have to be assigned always. In contrast to the EDIFACT- Message layout chart the different Segment-version will be displayed explicitly.



This message structure described. A documented Segment/Segmentgroup shouldn't have to be assigned always. In contrast to the EDIFACT- Message layout chart the different Segment-version will be displayed explicitly.



## 4 Segment Details

No.	Tag	St	MaxOcc	Level	Name
1	<b>UNA</b>	C	1	0	<b>Service string advice</b>

Standard				Implementation		
Tag	Name	St	Format	St	Format	Usage / Remark
UNA1	Component data element separator	M	an1	M	an1	:
UNA2	Data element separator	M	an1	M	an1	+
UNA3	Decimal notation	M	an1	M	an1	.
UNA4	Release indicator	M	an1	M	an1	?
UNA5	Reserved for future use	M	an1	M	an1	
UNA6	Segment terminator	M	an1	M	an1	'

**Remark:**

**Example:**

UNA:+.? '

No.	Tag	St	MaxOcc	Level	Name
2	<b>UNB</b>	M	1	0	<b>Interchange header</b>

Standard			Implementation		
Tag	Name	St Format	St	Format	Usage / Remark
S001	Syntax identifier	M	M		
0001	Syntax identifier	M a4	M	a4	<b>UNOB UN/ECE level B</b>
0002	Syntax version number	M n1	M	n1	<b>3 Version 3</b>
S002	Interchange sender	M	M		
0004	Sender identification	M an..35	M	an..25	O0013000001VW R3A Odette-ID of sender, to be entered here Station R3A (ID contains 6 Blanks)
S003	Interchange recipient	M	M		
0010	Recipient identification	M an..35	M	an..25	Receiver's Odette ID Odette id, mailbox id or another synonym revised with the recipient.
0007	Partner identification code qualifier	C an..4	N		Not used
S004	Date/time of preparation	M	M		
0017	Date of preparation	M n6	M	n6	Creation date of transmission file (YYMMDD)
0019	Time of preparation	M n4	M	n4	Creation time of transmission file (HHMM)
0020	Interchange control reference	M an..14	M	an..14	Transmission reference number (allocated by sender)
S005	Recipient's reference, password	C	N		
0022	Recipient's reference/password	M an..14	M	an..14	
0026	Application reference	C an..14	R	an..14	Company name (abbr.)

**Remark:****Example:**

UNB+UNOB:3+O0013000001VW R3A+O09999000000000029R88-ID+130501:1000+12345++SK'

No.	Tag	St	MaxOcc	Level	Name
3	<b>UNH</b>	M	1	0	<b>Message header</b>

Standard			Implementation		
Tag	Name	St Format	St	Format	Usage / Remark
0062	Message reference number	M an..14	M	n..14	Message reference number Within the transmission file, starting with 1; assigned by the EDI converter.
S009	Message identifier	M	M		
0065	Message type	M an..6	M	an..6	<b>DELJIT Delivery just in time message</b>
0052	Message version number	M an..3	M	an..3	<b>D Draft version/UN/EDIFACT Directory</b>
0054	Message release number	M an..3	M	an..3	<b>04B Release 2004 - B</b>
0051	Controlling agency	M an..2	M	an..2	<b>UN UN/CEFACT</b>
0057	Association assigned code	C an..6	R	an..6	Code from code list JAI016 Specific business partner profile of message implementation

**Remark:****Example:**

UNH+1+DELJIT:D:04B:UN:GMI061'

No.	Tag	St	MaxOcc	Level	Name
4	<b>BGM</b>	M	1	0	<b>Beginning of message - JDC call-off number</b>

Standard			Implementation		
Tag	Name	St Format	St	Format	Usage / Remark
C002	Document/message name	C	R		
1001	Document name code	C an..3	R	an..3	<b>242 Delivery just-in-time</b> Code 242 is used to indicate the JDC process (departure and requirement based).
1131	Code list identification code	C an..17	C	an..17	
3055	Code list responsible agency code	C an..3	C	an..3	
1000	Document name	C an..35	C	an..35	
C106	Document/message identification	C	C		
1004	Document identifier	C an..35	M	an..8	JDC call-off number

**Remark:**

The message GLOBAL DELJIT is sent as a binding call-off in the JDC process once per recipient plant with code 242.

**Example:**

BGM+242+123456'

No.	Tag	St	MaxOcc	Level	Name
5	<b>DTM</b>	M	1	1	<b>JDC call-off creation date</b>

Standard			Implementation		
Tag	Name	St Format	St Format	Usage / Remark	
C507	Message Date Period	M	M		
2005	Date or time or period function code qualifier	M an..3	M an..3	<b>137 Document issue date time</b>	
2380	Date or time or period text	C an..35	R an..14	JDC call-off issue date	
2379	Date or time or period format code	C an..3	O an..3	<b>204 CCYYMMDDHHMMSS</b>	

**Remark:****Example:**

DTM+137:20130501112500:204'

No.	Tag	St	MaxOcc	Level	Name
	<b>SG2</b>	R	1	1	<b>Buyer</b>
6	<b>NAD</b>	M	1	1	<b>Buyer</b>

Standard				Implementation		
Tag	Name	St	Format	St	Format	Usage / Remark
3035	Party function code qualifier	M	an..3	M	an..3	<b>BY Buyer</b>
C082	Party identification details	C		O		
3039	Party identifier	M	an..35	M	an..9	SKODA At VW/Skoda: The customer number assigned by the supplier for the customer within VW group is only transmitted if it has been agreed accordingly (Code 91). If no customer identifier has been agreed, an abbreviation for the customer is entered here (code 92): VW, Audi, Škoda, Seat, Lamborghini, Bentley, VWGoA etc.
1131	Code list identification code	C	an..17	N		Not used
3055	Code list responsible agency code	C	an..3	R	an..3	<b>91 Assigned by seller or seller's agent</b> <b>92 Assigned by buyer or buyer's agent</b>
C058	Name and address	C		N		
3124	Name and address description	M	an..35	N		Not used
C080	Party name	C		C		
3036	Party name	M	an..35	M	an..35	Company name
C059	Street	C		C		
3042	Street and number or post office box identifier	M	an..35	M	an..35	Street - part 1
3042	Street and number or post office box identifier	C	an..35	C	an..35	Street - part 2
3164	City name	C	an..35	C	an..35	City
C819	Country sub-entity details	C		N		
3229	Country sub-entity name code	C	an..9	N		Not used
3251	Postal identification code	C	an..17	C	an..6	Postal code

**Remark:****Example:**

NAD+BY+SKODA::92++By Comp+By Str 1:By Str 2+By Cty++By PSC'

No.	Tag	St	MaxOcc	Level	Name
	<b>SG2</b>	R	1	1	<b>Supplier</b> Seller Party
7	<b>NAD</b>	M	1	1	<b>Supplier</b>

Standard			Implementation		
Tag	Name	St Format	St	Format	Usage / Remark
3035	Party function code qualifier	M an..3	M	an..3	<b>SU Supplier</b>
C082	Party identification details	C	O		
3039	Party identifier	M an..35	R	an..10	Supplier number Skoda supplier code: 6 digits including index
1131	Code list identification code	C an..17	N		Not used
3055	Code list responsible agency code	C an..3	R	an..3	<b>92 Assigned by buyer or buyer's agent</b> Škoda Auto code list
C058	Name and address	C	C		
3124	Name and address description	M an..35	M	an..35	Not used
C080	Party name	C	C		
3036	Party name	M an..35	M	an..35	Supplier name
C059	Street	C	C		
3042	Street and number or post office box identifier	M an..35	M	an..35	Street - part 1
3042	Street and number or post office box identifier	C an..35	C	an..35	Street - part 2
3164	City name	C an..35	C	an..35	City
C819	Country sub-entity details	C	C		
3229	Country sub-entity name code	C an..9	N		Not used
3251	Postal identification code	C an..17	C	an..6	Postal code

**Remark:**

Local supplier code is allocated to a supplier by a branch of the VW Group.

**Example:**

NAD+SU+01283::92++Su Comp+Su Str 1:Su Str 2+Su Cty++264 44'

No.	Tag	St	MaxOcc	Level	Name
	<b>SG2</b>	R	1	1	<b>Recipient plant</b>
	Recipient plant				
8	<b>NAD</b>	M	1	1	<b>Recipient plant</b>

Standard				Implementation		
Tag	Name	St	Format	St	Format	Usage / Remark
3035	Party function code qualifier	M	an..3	M	an..3	<b>ST Ship to</b>
C082	Party identification details	C		R		
3039	Party identifier	M	an..35	M	an..3	Recipient plant, coded 31 - Mladá Boleslav 33 - Kvasiny
1131	Code list identification code	C	an..17	N		Not used
3055	Code list responsible agency code	C	an..3	R	an..3	<b>92 Assigned by buyer or buyer's agent</b> Škoda Auto code list

**Remark:****Example:**

NAD+ST+11::92'



No.	Tag	St	MaxOcc	Level	Name
	<b>SG2</b>	R	1	1	<b>Recipient plant</b>
	Recipient plant				
9	<b>FTX</b>	C	5	2	<b>Free text - call-off</b>

Standard				Implementation		
Tag	Name	St	Format	St	Format	Usage / Remark
4451	Text subject code qualifier	M	an..3	M	an..3	<b>AAI General information</b>
4453	Free text function code	C	an..3	N		Not used
C107	Text reference	C		N		
4441	Free text description code	M	an..17	N		Not used
C108	Text literal	C		C		
4440	Free text	M	an..512	M	an..70	Free text

**Remark:**

Free text concerning the whole call-off.

**Example:**

FTX+AAI+++Free text'

No.	Tag	St	MaxOcc	Level	Name
	<b>SG4</b>	M	9999	1	<b>JIT delivery instruction details</b>
10	<b>SEQ</b>	M	1	1	<b>Sequence details</b>

Standard				Implementation		
Tag	Name	St	Format	St	Format	Usage / Remark
1229	Action request/ notification description code	C	an..3	D	an..3	<b>40 Agreed</b> For requirements based delivery instruction and KANBAN SEQ is just a trigger. Code 40 is used.

**Remark:****Example:**

SEQ+40'

No.	Tag	St	MaxOcc	Level	Name
	<b>SG4</b>	M	9999	1	<b>JIT delivery instruction details</b>
	<b>SG7</b>	R	9999	2	<b>Product Item Line</b>
11	<b>LIN</b>	M	1	2	<b>Line item - Article no. / Part no.</b>

Standard			Implementation		
Tag	Name	St Format	St	Format	Usage / Remark
1082	Line item identifier	C an..6	O	an..6	Line Item Number
1229	Action request/ notification description code	C an..3	N		Not used
C212	Item number identification	C	R		
7140	Item identifier	C an..35	R	an..22	Article / Part number Article/Part number in structured print format, blanks at the end of article number are not transmitted. At VW/Skoda article number is transmitted with one blank/space on the first position.
7143	Item type identification code	C an..3	R	an..3	<b>IN Buyer's item number</b> Škoda Auto part number

**Remark:****Example:**

LIN+++6Y1 A00 117 OS VD:IN'

No.	Tag	St	MaxOcc	Level	Name
	<b>SG4</b>	M	9999	1	<b>JIT delivery instruction details</b>
	<b>SG7</b>	R	9999	2	<b>Product Item Line</b>
12	<b>IMD</b>	O	99	3	<b>Article description</b>

Standard				Implementation		
Tag	Name	St	Format	St	Format	Usage / Remark
7077	Description format code	C	an..3	N		Not used
C272	Item characteristic	C		N		
7081	Item characteristic code	C	an..3	C	an..3	Item characteristic, coded
1131	Code list identification code	C	an..17	N		Not used
3055	Code list responsible agency code	C	an..3	C	an..3	<b>92 Assigned by buyer or buyer's agent</b> Škoda Auto code list
C273	Item description	C		O		
7009	Item description code	C	an..17	N		Not used
1131	Code list identification code	C	an..17	N		Not used
3055	Code list responsible agency code	C	an..3	N		Not used
7008	Item description	C	an..256	O	an..256	Article / Part name

**Remark:****Example:**

IMD++++::AUSPUFFKRUEMMER'

No.	Tag	St	MaxOcc	Level	Name
	<b>SG4</b>	M	9999	1	<b>JIT delivery instruction details</b>
	<b>SG7</b>	R	9999	2	<b>Product Item Line</b>
13	<b>FTX</b>	C	5	3	<b>Free text - part no.</b>

Standard				Implementation		
Tag	Name	St	Format	St	Format	Usage / Remark
4451	Text subject code qualifier	M	an..3	M	an..3	<b>AAI General information</b>
4453	Free text function code	C	an..3	N		Not used
C107	Text reference	C		N		
4441	Free text description code	M	an..17	N		Not used
C108	Text literal	C		C		
4440	Free text	M	an..512	M	an..70	Free text

**Remark:**

Free text concerning article / part no.

**Example:**

FTX+AAI+++Free text'

No.	Tag	St	MaxOcc	Level	Name
	<b>SG4</b>	M	9999	1	<b>JIT delivery instruction details</b>
	<b>SG7</b>	R	9999	2	<b>Product Item Line</b>
14	<b>PAC</b>	C	99	3	<b>Package</b>

Standard			Implementation		
Tag	Name	St Format	St	Format	Usage / Remark
7224	Package quantity	C n..8	C	n..8	
C531	Packaging details	C	N		
7075	Packaging level code	C an..3	N		Not used
C202	Package type	C	C		
7065	Package type description code	C an..17	R	an..17	Package type, coded
1131	Code list identification code	C an..17	N		Not used
3055	Code list responsible agency code	C an..3	C	an..3	<b>92 Assigned by buyer or buyer's agent</b> VW/Škoda code list

**Remark:****Example:**

PAC+5++1114444::92'

No.	Tag	St	MaxOcc	Level	Name
	<b>SG4</b>	M	9999	1	<b>JIT delivery instruction details</b>
	<b>SG7</b>	R	9999	2	<b>Product Item Line</b>
	<b>SG8</b>	O	9	3	<b>Order number</b>
15	<b>RFF</b>	M	1	3	<b>Order number</b>

Standard			Implementation		
Tag	Name	St Format	St	Format	Usage / Remark
C506	Reference	M	M		
1153	Reference code qualifier	M an..3	M	an..3	<b>ON Order document identifier, buyer assigned</b>
1154	Reference identifier	C an..70	C	an..12	Order number For Škoda Auto series parts always 000055.

**Remark:****Example:**

RFF+ON:000055'

No.	Tag	St	MaxOcc	Level	Name
	<b>SG4</b>	M	9999	1	<b>JIT delivery instruction details</b>
	<b>SG7</b>	R	9999	2	<b>Product Item Line</b>
	<b>SG10</b>	R	99	3	<b>Place of destination</b>
16	<b>LOC</b>	M	1	3	<b>Place of destination</b>

Standard				Implementation		
Tag	Name	St	Format	St	Format	Usage / Remark
3227	Location function code qualifier	M	an..3	M		<b>7 Place of delivery</b>
C517	Location identification	C		R		
3225	Location name code	C	an..35	R	an..35	Place of delivery, coded To specify any identifier related to this location such as a UNLOCODE, EAN.UCC GLN etc.
1131	Code list identification code	C	an..17	N		Not used
3055	Code list responsible agency code	C	an..3	C	an..3	<b>92 Assigned by buyer or buyer's agent</b> Škoda Auto code list
3224	Location name	C	an..256	C	an..256	Place of delivery, name

**Remark:**

The place of destination is the physical location of delivery. It is unique for each recipient plant and contains several unloading points. It may be an internal site (inside the plant) or an external site like a service provider. Transmitted is the reference only. The place of destination is to be printed on the shipping documents VDA 4939. The place of destination is determined by the plant logistics of a brand. The addresses for print out of the pick up sheet - TSB - VDA 4939 can be downloaded in the closed area of the supplier portal [www.vwgroupsupply.com](http://www.vwgroupsupply.com) + Login under Logistics - WebEDI - Infos WebEDI + EDI"

**Example:**

LOC+7+U15::92:Body shop MB'



No.	Tag	St	MaxOcc	Level	Name
	<b>SG4</b>	M	9999	1	<b>JIT delivery instruction details</b>
	<b>SG7</b>	R	9999	2	<b>Product Item Line</b>
	<b>SG10</b>	R	99	3	<b>Place of destination</b>
	<b>SG11</b>	C	5	4	<b>Information contact</b>
17	<b>CTA</b>	C	1	4	<b>Contact person</b>

Standard				Implementation		
Tag	Name	St	Format	St	Format	Usage / Remark
3139	Contact function code	C	an..3		an..3	<b>IC Information contact</b>
C056	Department or employee details	C		C		
3413	Department or employee name code	C	an..17	N		Not used
3412	Department or employee name	C	an..35	C	an..35	Contact name

**Remark:****Example:**

CTA+IC+:Jan Novak'

No.	Tag	St	MaxOcc	Level	Name
	<b>SG4</b>	M	9999	1	<b>JIT delivery instruction details</b>
	<b>SG7</b>	R	9999	2	<b>Product Item Line</b>
	<b>SG10</b>	R	99	3	<b>Place of destination</b>
	<b>SG11</b>	C	5	4	<b>Information contact</b>
18	<b>COM</b>	C	5	5	<b>Information channel</b>

Standard			Implementation		
Tag	Name	St Format	St	Format	Usage / Remark
C076	Communication contact	M	M		
3148	Communication address identifier	M an..512	M	an..20	Contact phone number
3155	Communication address code qualifier	M an..3	M	an..3	<b>TE Telephone</b>

**Remark:****Example:**

COM+00420326811110:TE'

No.	Tag	St	MaxOcc	Level	Name
	<b>SG4</b>	M	9999	1	<b>JIT delivery instruction details</b>
	<b>SG7</b>	R	9999	2	<b>Product Item Line</b>
	<b>SG10</b>	M	99	3	<b>Unloading point</b>
19	<b>LOC</b>	M	1	3	<b>Unloading point</b>

Standard			Implementation		
Tag	Name	St Format	St	Format	Usage / Remark
3227	Location function code qualifier	M an..3	M		<b>11 Place of discharge</b>
C517	Location identification	C	R		
3225	Location name code	C an..35	R	an..5	Unloading point, coded
1131	Code list identification code	C an..17	N		Not used
3055	Code list responsible agency code	C an..3	C	an..3	<b>92 Assigned by buyer or buyer's agent</b> Škoda Auto code list
3224	Location name	C an..256	C	an..256	Unloading point, name

**Remark:**

Unloading points are defined and assigned by the plant logistics of the respective brand. The LOC segment with the unloading points is always transmitted.

**Example:**

LOC+11+103E8::92:brana vlevo'

No.	Tag	St	MaxOcc	Level	Name
	<b>SG4</b>	M	9999	1	<b>JIT delivery instruction details</b>
	<b>SG7</b>	R	9999	2	<b>Product Item Line</b>
	<b>SG10</b>	M	99	3	<b>Unloading point</b>
	<b>SG11</b>	C	5	4	<b>Information contact</b>
20	<b>CTA</b>	M	1	4	<b>Contact person</b>

Standard				Implementation		
Tag	Name	St	Format	St	Format	Usage / Remark
3139	Contact function code	C	an..3	C	an..3	<b>IC Information contact</b>
C056	Department or employee details	C		C		
3413	Department or employee name code	C	an..17	N		Not used
3412	Department or employee name	C	an..35	C	an..35	Contact name

**Remark:****Example:**

CTA+IC+:Karel Novak'

No.	Tag	St	MaxOcc	Level	Name
	<b>SG4</b>	M	9999	1	<b>JIT delivery instruction details</b>
	<b>SG7</b>	R	9999	2	<b>Product Item Line</b>
	<b>SG10</b>	M	99	3	<b>Unloading point</b>
	<b>SG11</b>	C	5	4	<b>Information contact</b>
21	<b>COM</b>	C	5	5	<b>Information channel</b>

Standard			Implementation		
Tag	Name	St Format	St	Format	Usage / Remark
C076	Communication contact	M	M		
3148	Communication address identifier	M an..512	M	an..20	Contact phone number
3155	Communication address code qualifier	M an..3	M	an..3	<b>TE Telephone</b>

**Remark:****Example:**

COM+00420326811111:TE'

No.	Tag	St	MaxOcc	Level	Name
	<b>SG4</b>	M	9999	1	<b>JIT delivery instruction details</b>
	<b>SG7</b>	R	9999	2	<b>Product Item Line</b>
	<b>SG10</b>	O	99	3	<b>Consumption point</b>
22	<b>LOC</b>	M	1	3	<b>Point of use</b>

Standard				Implementation		
Tag	Name	St	Format	St	Format	Usage / Remark
3227	Location function code qualifier	M	an..3	M	an..3	<b>54 Manufacturing department</b>
C517	Location identification	C		R		
3225	Location name code	C	an..35	O	an..14	Point of use, coded
1131	Code list identification code	C	an..17	N		Not used
3055	Code list responsible agency code	C	an..3	C	an..3	<b>92 Assigned by buyer or buyer's agent</b> Škoda Auto code list
3224	Location name	C	an..256	C	an..256	Point of use, name

**Remark:****Example:**

LOC+54+F7-A-500 C-E07::92:misto 24'

No.	Tag	St	MaxOcc	Level	Name
	<b>SG4</b>	M	9999	1	<b>JIT delivery instruction details</b>
	<b>SG7</b>	R	9999	2	<b>Product Item Line</b>
	<b>SG10</b>	O	99	3	<b>Consumption point</b>
	<b>SG11</b>	C	5	4	<b>Information contact</b>
23	<b>CTA</b>	M	1	4	<b>Contact person</b>

Standard				Implementation		
Tag	Name	St	Format	St	Format	Usage / Remark
3139	Contact function code	C	an..3	C	an..3	<b>IC Information contact</b>
C056	Department or employee details	C		C		
3413	Department or employee name code	C	an..17	N		Not used
3412	Department or employee name	C	an..35	C	an..35	Contact name

**Remark:****Example:**

CTA+IC+:Pavel Novak'

No.	Tag	St	MaxOcc	Level	Name
	<b>SG4</b>	M	9999	1	<b>JIT delivery instruction details</b>
	<b>SG7</b>	R	9999	2	<b>Product Item Line</b>
	<b>SG10</b>	O	99	3	<b>Consumption point</b>
	<b>SG11</b>	C	5	4	<b>Information contact</b>
24	<b>COM</b>	C	5	5	<b>Information channel</b>

Standard			Implementation		
Tag	Name	St Format	St	Format	Usage / Remark
C076	Communication contact	M	M		
3148	Communication address identifier	M an..512	M	an..20	Contact phone number
3155	Communication address code qualifier	M an..3	M	an..3	<b>TE Telephone</b>

**Remark:****Example:**

COM+00420326811112:TE'



No.	Tag	St	MaxOcc	Level	Name
	<b>SG4</b>	M	9999	1	<b>JIT delivery instruction details</b>
	<b>SG7</b>	R	9999	2	<b>Product Item Line</b>
	<b>SG12</b>	R	999	3	<b>Delivery quantity</b>
25	<b>QTY</b>	M	1	3	<b>Quantity</b>

Standard			Implementation		
Tag	Name	St Format	St	Format	Usage / Remark
C186	Quantity details	M	M		
6063	Quantity type code qualifier	M an..3	M	an..3	<b>113 Quantity to be delivered</b>
6060	Quantity	M an..35	M	n..9	Quantity In case of pieces a quantity to be transmitted without decimal places.
6411	Measurement unit code	C an..8	O	an..8	Use UN Recommendation 20 <b>PCE piece</b> <b>C62 one</b> <b>KGM kilogram</b> <b>LTR litre</b> <b>MTR metre</b> <b>MTK square metre</b> <b>MTQ cubic metre</b> <b>SET set</b>

**Remark:****Example:**

QTY+113:500:PCE'

No.	Tag	St	MaxOcc	Level	Name
	<b>SG4</b>	M	9999	1	<b>JIT delivery instruction details</b>
	<b>SG7</b>	R	9999	2	<b>Product Item Line</b>
	<b>SG12</b>	R	999	3	<b>Delivery quantity</b>
26	<b>DTM</b>	R	9	4	<b>Delivery date and time</b>

Standard			Implementation		
Tag	Name	St Format	St	Format	Usage / Remark
C507	Date/time/period	M	M		
2005	Date or time or period function code qualifier	M an..3	M	an..3	<b>2 Delivery date/time, requested</b>
2380	Date or time or period text	C an..35	R	an..12	Delivery date and time
2379	Date or time or period format code	C an..3	O	an..3	<b>203 CCYMMDDHHMM</b>

**Remark:****Example:**

DTM+2:201305300730:203'

No.	Tag	St	MaxOcc	Level	Name
	<b>SG4</b>	M	9999	1	<b>JIT delivery instruction details</b>
	<b>SG7</b>	R	9999	2	<b>Product Item Line</b>
	<b>SG12</b>	R	999	3	<b>Delivery quantity</b>
27	<b>DTM</b>	O	9	4	<b>Departure date and time at the latest</b>

Standard			Implementation		
Tag	Name	St Format	St	Format	Usage / Remark
C507	Date/time/period	M	M		
2005	Date or time or period function code qualifier	M an..3	M	an..3	<b>208 Transport means departure date/time, ultimate</b>
2380	Date or time or period text	C an..35	R	an..12	Departure date/time at the latest
2379	Date or time or period format code	C an..3	O	an..3	<b>203 CCYMMDDHHMM</b>

**Remark:****Example:**

DTM+208:201305300700:203'

No.	Tag	St	MaxOcc	Level	Name
28	<b>UNT</b>	M	1	0	<b>Message trailer</b>

Standard				Implementation		
Tag	Name	St	Format	St	Format	Usage / Remark
0074	Number of segments in the message	M	n..6	M	n..6	Number of segments
0062	Message reference number	M	an..14		n1	Message reference number

**Remark:****Example:**

UNT+26+1'

No.	Tag	St	MaxOcc	Level	Name
29	<b>UNZ</b>	M	1	0	<b>Interchange trailer</b>

Standard				Implementation		
Tag	Name	St	Format	St	Format	Usage / Remark
0036	Interchange control count	M	n..6		n..6	Number of messages in a transmission.
0020	Interchange control reference	M	an..14		an..14	Transmission reference number Reference number is identical to UNB DE0020.

**Remark:****Example:**

UNZ+1+12345'