

VOLKSWAGEN AG EDI Implementation Guidelines

Delivery Instruction VDA 4905/4, Ausg. Juli 1996

I	Delivery pre-advice VDA 4905/1	1
II.	VW-Guide Branching Diagram	3
III.	VW-Guide Message Structure	4
IV.	VW-Guide Segment Details	5

I Delivery pre-advice VDA 4905/1

The present message guide describes the delivery schedule in its variant **delivery pre-advice** in the format VDA 4905. The delivery pre-advice has been introduced and sent for the first time as part of launching the New Logistics Concept, NLK.

This message has the same content as previous delivery schedules, but contains the following differences:

- SA 512, item 17 usage code U. Notwithstanding the VDA definition "Series and substitute", it is a qualifier for distinguishing it from the standard delivery schedules for recipients who cannot process virtual file names.
- SA 513, item 8 – 17 and SA 514, item -6 – 18 call-off date
The specified date is the pick-up date according to timetable.
- SA 517 The packaging container information does not apply. Only the packaging data sheet is relevant.

General definitions

The VDA 4905 is sent for delivery pre-advices of the European plants of the brands Audi, VW Commercial Vehicles and Volkswagen (except VW Navarra Pamplona) by the IVZ Wolfsburg (station ID KEY).

The file names for the VDA 4905 (delivery pre-advice) are:

- DUC.KEY*sid*.VDA4905AV.VW (delivery pre-advice VW),
- DUC.KEY*sid*.VDA4905AV.AU (delivery pre-advice Audi)

sid = Station ID of supplier/data recipient

This document is amended from time to time and can be found on the Internet at:

http://www.vwgroupsupply.com/b2b/vwb2b_folder/supply2public/de/zusammenarbeit/edi_elektronischer/downloads.html

VOLKSWAGEN AG EDI Implementation Guidelines

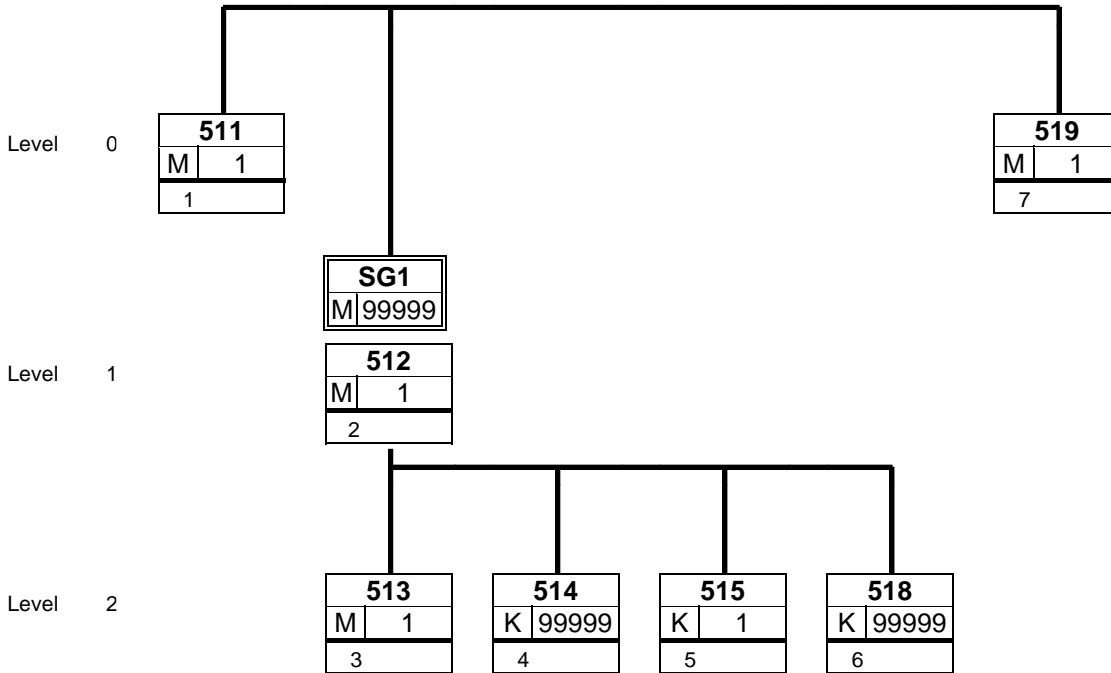
Delivery Instruction VDA 4905/4, Ausg. Juli 1996

Record types and record type sequence with delivery schedules VDA 4905/1
 VW >>> supplier

Rec ord type	Ver- sion	M/C	Rep etiti on	Data content
511	02	M	1	Header record delivery instruction data (1 time per logical ASN) must be first record of a logical ASN
512	01	M	1	Unique data for part number (1 time per key: part no., plant customer, order number, place of unloading) follows after 511 can follow after 513, 514, 517, 518
513	01	M	1	Results analysis and call-off data (1 time per part number, plant customer) follows 512
514	01	C	R	Additional call-off data (x times per part number, plant customer) can follow after 513, 514
515	02	C	1	Complementary data delivery instruction (1 time per part no./ plant customer) follows after 514
517	01	C	R	Packaging container data (x times per part no., plant customer) can follow after 513, 514, 515, 517 (is only transferred if there is a packaging instruction for the part number)
518	01	C	R	Text data (x times per part number, plant customer) can follow after 513, 514, 515, 517, 518 (transfer only if necessary)
519	02	M	1	Trailer record delivery instruction data (1 time per logical ASN) can follow after 513, 514, 515, 517, 518

VOLKSWAGEN AG EDI Implementation Guidelines

Volkswagen VDA 4905



All documented Segments/Segmentgroups are in this message structure described. A documented Segment/Segmentgroup shouldn't have to be assigned always.

In contrast to the EDIFACT- Message layout chart the different Segment-version will be displayed explicitly.

Volkswagen VDA 4905; 1; Abrufvorschau

Copyright: VOLKSWAGEN AG, K-SOB3, EDI-Koordination, Th. Sieck

Publishing : 01.05.2009

Site : 3

VOLKSWAGEN AG EDI Implementation Guidelines

Volkswagen VDA 4905

	Seg. No.	St. VW	Max Wdh	Segmentname	
	511	1	M	1	Vorsatz Lieferabrufdaten
SG1			M	999999	
	512	2	M	1	Einmalige Datenelemente des Lieferabrufs
	513	3	M	1	Abgrenzungs- und Abrufdaten
	514	4	K	999999	Weitere Abrufdaten
	515	5	K	1	Ford US Daten im Lieferabruf (nur für LABs aus USA, Kanada, Mexiko)
	518	6	K	999999	Lieferabruftext
	519	7	M	1	Nachsatz Lieferabrufdaten

this message structure described. A documented Segment/Segmentgroup shouldn't have to be assigned always.
In contrast to the EDIFACT- Message layout chart the different Segment-version will be displayed explicitly.

Volkswagen VDA 4905; 1; Abrufvorschau

Copyright: VOLKSWAGEN AG, K-SOB3, EDI-Koordination, Th. Sieck

Publishing : 01.05.2009

Site : 4

Volkswagen AG EDI Implementation Guidelines

Volkswagen VDA 4905

Counte	Nr	Dec.	St	MaxWdh	Layer	Name
0010	1	511	M	1	0	Vorsatz Lieferabrufdaten

Standard				Implementation		
Id	name	from to	status	format	status	application / comment
511_01	Record type		M	N3	M	Constant "511"
511_02	Version number		M	N2	M	Constant "02"
511_03	Kunden-Nummer		M	A9	M	Code, which the supplier assigns to a customer. The customer code can be determined by the supplier and be transferred at the request of the supplier in the ABRUFVORSCHAU. A different customer code for Volkswagen and Audi (not for each VW/Audi plant) is possible. VW Saxonia and the Saxonian automotive manufacture GmbH have own customer numbers, in the ABRUFVORSCHAU however also for these factories the Volkswagen customer number will be transmitted.
511_04	Lieferanten-Nummer		M	A9	M	(an9/an7) Enlarged supplier number including identifier for supplier plant (an6/an5) valid for suppliers with supplier number in format used up to now The code is assigned and transmitted by Volkswagen/Audi with 7 or 5 digits without index or when using the plant index with 9 or 6 digits without any seperative element. To carriers applies a supplier code with nine ore six digits.
511_05	Übertragungs-Nummer-Alt		M	N5	M	During the first transfer is transmission number old = 00000.
511_06	Übertragungs-Nummer-Neu		M	N5	M	VW and Audi assign in each case within their application for each data-communication job a transfer number (new). The recipient keeps this number up to the next transfer of a delivery instruction. The recipient must control the completeness of the communication data for each application. Examples of entries in the two transmission numbers: Process Number old Number new Start: 00000 00001 or 00000 00017 Routine: 00019 00020 or 88051 88061 Overflow: 99999 00001 or 89361 00011
511_07	Übertragungs-Datum		M	N6	M	
511_08	Datum-Nullstellung Eingangsfortschrittsza hl		K	N6	M	date of zero position cumulative quantity receipt figure
511_09	Empty		K	A83	M	filled with blanks

Bemerkung:

Beispiel:

51101 526330 0002600027070612061028

Volkswagen AG EDI Implementation Guidelines

Volkswagen VDA 4905

Counte	Nr	Dec.	St	MaxWdh	Layer	Name
0020		SG1	M	999999	1	512-513-514-515-518
0030	2	512	M	1	1	Einmalige Datenelemente des Lieferabrufs

Standard				Implementation	
Id	name	from to	status	format	status application / comment
512_01	Satzart		M	N3	M M Konstant "512" Konstant "512" Konstant "512" Konstant "512"
512_02	Versions-Nummer		M	N2	M Konstant "01"
512_03	Werk-Kunde		M	A3	M Delivery destination plant is transmitted with two digits to place 6 and 7; see also EDI Implementation Guidelines, appendix 1, plant code. Example: 11(=Wolfsburg). Exception: AHM, Győr: partly 3 digits are transmitted. Example: 26D
512_04	Lieferabruf-Nummer neu		M	N9	M The delivery call-off number new is assigned per article code numerically and continuously ascending with leading zeros.
512_05	Lieferabruf-Datum neu		M	N6	M related to 512_04
512_06	Lieferabruf-Nummer alt		M	N9	M see delivery call-off number new, numerically and continuously ascending
512_07	Lieferabruf-Datum alt		M	N6	M In Verbindung mit 512_06 Related to 512_06
512_08	Sach-Nummer Kunde		M	A22	M The Volkswagen/Audi part number is transferred left justified in the printing form (inclusive blank as constituent of the part number). Into the delivery data the part number is to be taken over identically!
512_09	Sach-Nummer Lieferant		K	A22	K The part number of the supplier is not transferred by VW/Audi.
512_10	Abschluß-/Bestell-Nummer		K	A12	K The customer order number is re-coded for the delivery instruction sas a function of the application.
512_11	Unloading point		M	A5	M Unloading point (Dock / gate) marks the detailed unloading area in the Volkswagen-Audi-plant in encoded form, in which the material is to be unloaded. In messages and documents to VW / Audi the dock / gate is to be transmitted identically to the format in the EDI delivery instruction. From the delivery instruction transmitted on paper the receiving location has to be taken over without separators: e.g.: 101-01 => 10101 101/74 => 10174 St 1: delivery plant, St.2-3: financial key, St 4-5: group of stocks. Delivery instructions with an receiving location which cannot be identified, e.g. orders not transmitted by a delivery instruction, are to be co-ordinated with the responsible person for MAT (Material on Transport) data from VW/Audi (see EDI Implementation Guidelines, appendix 1, partners).
512_12	Customer reference		M	A4	M As customer clerk identifier the disposition plant with two digits and a two digit operator flag of the disposition clerk is transferred.
512_13	Unit		M	A2	M Encoded form; see appendix.
512_14	Anlieferungs-Intervall		M	A1	M in accordance with call-off date
512_15	Fertigungsfreigabe		K	N1	K Number of months excluding deadline month, is not transferred by VW/Audi.
512_16	Materialfreigabe		K	N1	K Number of months excluding deadline month, is not transferred by VW/Audi.

Volkswagen AG EDI Implementation Guidelines

Volkswagen VDA 4905

Standard				Implementation	
Id	name	from to	status format	status	application / comment
512_17	Verwendungsschlüsse		M A1	M	U = Neues Logistik-Konzept
512_18	Kontierungsschlüssel		K A7	K	Complementary data of the customer, from field (512_15) of the DIN form 4991-94, are not transmitted by VW/Audi.
512_19	Lager		K A7	K	Place of delivery, left justified code entry with 3 digits. The place of delivery marks the location (hall / external service provider), where is to be delivered, and covers several receiving locations. The places of delivery have to be printed by the supplier as shipment addresses on the Pick up sheet (VDA 4939). The referred shipment addresses are available for downloading in the closed area of our supplier platform under "Logistik - WebEDI - Infos WebEDI/EDI". The place of delivery is defined and assigned by the Factory Logistics of the respective marque, it is no key term. At Audi a 4-digit storage location may be added to the 3-digit place of delivery. If so, 3 + 4 digits have to be resent in the despatch advices. 7 print positions should be designed in the shipment papers. If no storage location is assigned, the last 4 digits may be printed as blancs
512_20	Leer		K A5	M	filled with blanks

Bemerkung:

Beispiel:

5120126 0000000030706110000000020706048P7 821 191 C
26C4STL00S GVZ

5030074876/1T SL

Volkswagen AG EDI Implementation Guidelines

Volkswagen VDA 4905

Counte	Nr	Dec.	St	MaxWdh	Layer	Name
0020		SG1	M	999999	1	512-513-514-515-518
0040	3	513	M	1	2	Abgrenzungs- und Abrufdaten

Standard				Implementation		
ld	name	from to	status	format	status	application / comment
513_01	Satzart		M	N3	M	Constant "513"
513_02	Versions-Nummer		M	N2	M	Constant "01"
513_03	Erfassungs-Datum letzter Eingang		M	N6	M	VW/Audi booked and considered in their planning recorded receipts of this article up to this date.
513_04	Lieferschein-Nummer letzter Eingang		M	N8	M	Delivery note number of the last material receipt at VW/Audi with this article code, right-justified entry with leading zeros.
513_05	Lieferschein-Datum letzter Eingang		M	N6	M	Delivery note date (shipping date) of the last receipt booked at VW/Audi, in form JJMMTT.
513_06	Menge letzter Eingang		M	N12	M	Quantity last recorded material receipt at VW/Audi, right-justified entry, with leading zeros. 3 decimal places, minus sign if necessary.
513_07	Eingangs-Fortschrittszahl		M	N10	M	Commulative figure, which contains all booked receipts with VW/Audi positively or negatively starting from " date zero position input progress number " transmitted in SA 511 up to the calculation of requirements for the current ABRUFVORSCHAU. With leading zeros, no decimal place, minus sign if necessary.
513_08	Abrufdatum 1		M	N6	M	Shipment date at the supplier related to the " call-off quantity 1 " . Call-off dates can be indicated as daily/weekly or monthly dates. This field (and further) can contain different forms of date (see appendix, Pos.05).
513_09	Abrufmenge 1		M	N9	M	Contains the call-off quantity 1. Call-off quantities can be indicated as daily/weekly or monthly quantities. All call-off quantities are entered right-justified with leading. No decimal place.
513_10	Abrufdatum 2		K	N6	K	see call-off date 1
513_11	Abrufmenge 2		K	N9	K	see call-off quantity 1
513_12	Abrufdatum 3		K	N6	K	see call-off date 1
513_13	Abrufmenge 3		K	N9	K	see call-off quantity 1
513_14	Abrufdatum 4		K	N6	K	see call-off date 1
513_15	Abrufmenge 4		K	N9	K	see call-off quantity 1
513_16	Abrufdatum 5		K	N6	K	see call-off date 1
513_17	Abrufmenge 5		K	N9	K	see call-off quantity 1
513_18	Leer		K	A6	M	filled with blanks

Bemerkung:

Beispiel:

513010706088023460907060800000002000000000004007061500000009000000

Volkswagen AG EDI Implementation Guidelines

Volkswagen VDA 4905

Counte	Nr	Dec.	St	MaxWdh	Layer	Name
0020		SG1	M	999999	1	512-513-514-515-518
0070	6	518	K	999999	2	Lieferabruf text

Standard				Implementation	
Id	name	from to	status format	status	application / comment
518_01	Satzart		M N3	M M	Constant "518" Constant "518"
518_02	Versions-Nummer		M N2	M	Constant "01"
518_03	Lieferabruf Text 1		M A40	M	left-justified entry
518_04	Lieferabruf Text 2		K A40	K	left-justified entry
518_05	Lieferabruf Text 3		K A40	K	left-justified entry
518_06	Leer		K A3	M	filled with blanks

Bemerkung:

The record type 518 is transferred by VW/Audi only if textual informations to transfer.

The transferred information can be of importance for the controlling of the processing of the supplier, e.g. announcement of formal modifications in the calls or announcement of new codes (plant flags).

Beispiel:

51801NEUE EFZ IM LAB/FAB
G 28.10.06

AB 06.11.06/ABGRENZUNG

Z.INV.STICHTA

Volkswagen AG EDI Implementation Guidelines

Volkswagen VDA 4905

Counte	Nr	Dec.	St	MaxWdh	Layer	Name
0080	7	519	M	1	0	Nachsatz Lieferabrufdaten

Standard					Implementation	
Id	name	from to	status	format	status	application / comment
519_01	Satzart		M	N3	M M	Constant "519" Constant "519"
519_02	Versions-Nummer		M	N2	M	Constant "02"
519_03	Zähler Satzart 511		M	N7	M	Number of transferred record type 511
519_04	Zähler Satzart 512		M	N7	M	Number of transferred record type 512
519_05	Zähler Satzart 513		M	N7	M	Number of transferred record type 513
519_06	Zähler Satzart 514		M	N7	M	Number of transferred record type 51
519_07	Zähler Satzart 517		M	N7	M	Number of transferred record type 517
519_08	Zähler Satzart 518		M	N7	M	Number of transferred record type 518
519_09	Zähler Satzart 519		M	N7	M	Number of transferred record type 519
519_10	Zähler Satzart 515		M	N7	M	Number of transferred record type 515
519_11	Leer		K	A67	M	filled with blanks

Bemerkung:

Beispiel:

519020000001000000100000010000000000000000000000000100000010000000